



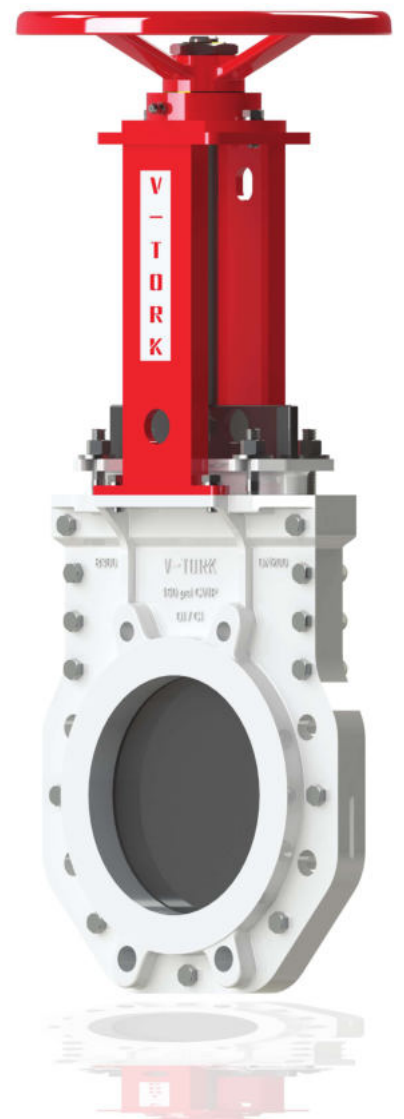
**V-TORK®**  
WORLD CLASS INDUSTRIAL VALVES

# **B-360**

## **BI - DIRECTIONAL KNIFE EDGE GATE VALVE**

V-TORK® B-360 Two piece heavy duty body design conforming to MSS-SP-81 valves. Peripheral seal design enable the valve for bubble tight shut-off for heavy duty applications. The full stroke gate guide adds the bubble tight shut off feature for the valve.

The full bore design in body reduces the pressure drop & turbulence thus minimizing the wear of components and also due to this, the solids cannot get deposited which may cause the gate interference. The valves seals are easily replaceable and long lasting.

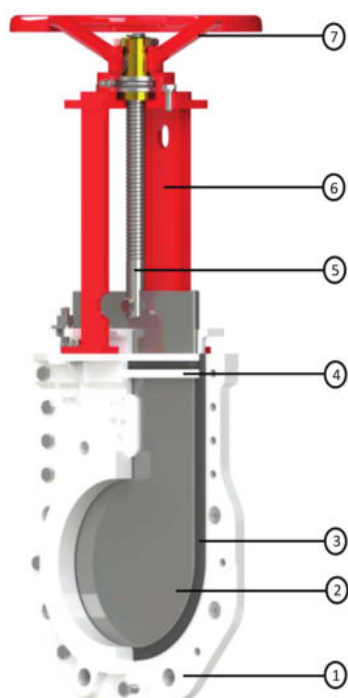


**B-360**



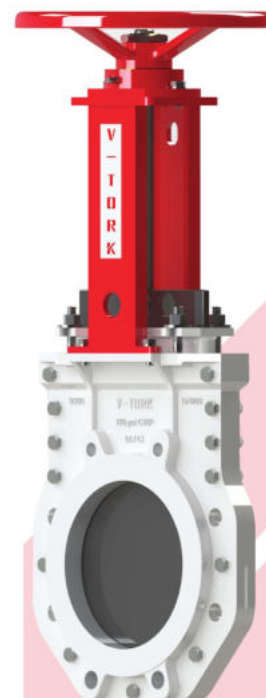
## BI - DIRECTIONAL KNIFE EDGE GATE VALVE

# B-360



### SPECIAL FEATURES

- a. Full-bore design to reduce the pressure drop.
- b. Easy replaceable seals with two piece bolted design body.
- c. Urethane liner options for severe service applications.
- d. Offers Bi-Directional bubble tight shut off for wide range of applications.
- e. Steel reinforced rubber seats for rigid performance.
- f. Multi-layered packing and machined gland pockets provide high performance gland sealing.



### SL. NO. PART NAME

### MATERIAL

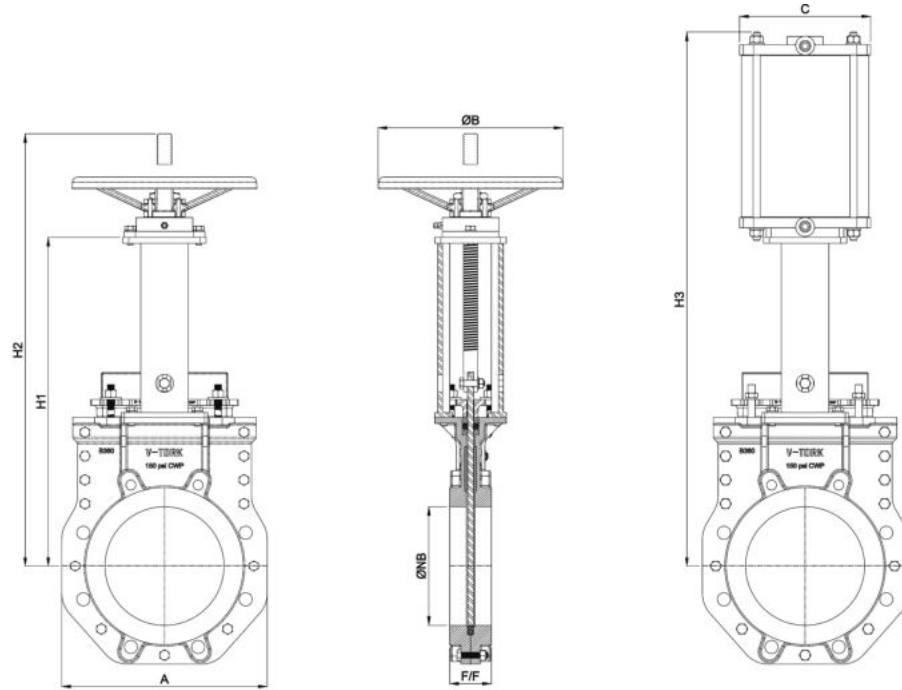
SL. NO.	PART NAME	MATERIAL
1.	Body	Ductile Iron/Cast Iron, Stainless Steel
2.	Gate	SS 304, SS 316, 174 PH, SS 2205, SS 2507, 904L etc
3.	Seat	EPDM, Natural Rubber, NBR, Viton (other special materials on request)
4.	Packing	PTFE (other special materials on request)
5.	Stem	Stainless Steel
6.	Yoke	Carbon Steel
7.	Actuator	Manual Hand Wheel, Chain Wheel, Bevel Gear, Hydraulic Cylinder, Pneumatic Cylinder, Electrical Actuator etc.



**BI - DIRECTIONAL  
KNIFE EDGE GATE VALVE**

**B-360**

**DIMENSIONAL DETAILS**



**Class #150 Valves**

Sl No.	Size	F/F (MM)	A (MM)	ØB (MM)	C (MM)	H1 (MM)	H2 (MM)	H3 (MM)
1	50 NB	48	150	210	115	280	420	480
2	80 NB	51	190	310	140	335	495	540
3	100 NB	51	230	310	175	395	575	630
4	125 NB	57	255	310	175	395	660	720
5	150 NB	57	285	310	175	495	725	780
6	200 NB	70	345	310	225	605	885	950
7	250 NB	70	405	410	275	700	1055	1110
8	300 NB	76	485	410	325	845	1245	1335
9	350 NB	76	535	-	500	945	1400	1505
10	400 NB	89	600	-	500	1080	1600	1710
11	450 NB	89	635	-	500	1200	1725	1860
12	500 NB	114	700	-	-	1310	1890	-
13	600 NB	114	815	-	-	1525	2200	-

\* Note : Higher sizes on request





**V-TORK®**  
WORLD CLASS INDUSTRIAL VALVES

**MODE OF OPERATIONS**



Manual Hand Wheel



Manual Chain Wheel



Manual Hand Lever



Manual Bevel Gear



Electrical Actuator



Hydraulic Actuator



Pneumatic Double Acton Actuator



Pneumatic Failsafe & Manual Override

# B-360

BI - DIRECTIONAL

## KNIFE EDGE GATE VALVE

**STANDARD**

MSS-SP-81

**SIZE RANGE**

2" to 24" (50 mm to 600 mm)

Higher size on request

**PRESSURE /TEMPERATURE RATING**

ASME B16.34 Class 150,150 psi CWP

**ACCESSORIES**

Limit Switch, Solenoid Valve,  
Positioner Air Filter Regulator etc.

**FLOW DIRECTION**

Can be mounted in both flow directions

**APPLICATIONS**

Mining, Minerals, Beneficiation Plant,  
Ash slurry, Cement Slurry, Coal washeries,  
Slag Granulation, Pellet plants, Lime Slurry,  
Sand & gravel, Phosphate, Sea water,  
Alumina, Soda Ash , etc.

DISCLAIMER: V-TORK® cannot accept responsibility for possible errors in catalogues, brochures, other printed materials, and website information. V-TORK® reserved right to alter its products without notice including products already on order provided that such alteration can be made without changes being necessary in specifications already agreed. The V-TORK® & V-TORK® Logo types are registered trademarks of V-TORK CONTROLS®. SLUGATE is registered trademark of V-TORK CONTROLS®. All rights reserved.



**V-TORK®**  
WORLD CLASS INDUSTRIAL VALVES

V-TORK CONTROLS  
187/2A SNMV College Road, Malumichampatti  
Coimbatore - 641 050, Tamilnadu, India  
T: +91 7598718922  
E-mail - sales@vtorkcontrols.com  
vtorkcontrols@gmail.com  
Web: - www.vtorkcontrols.com